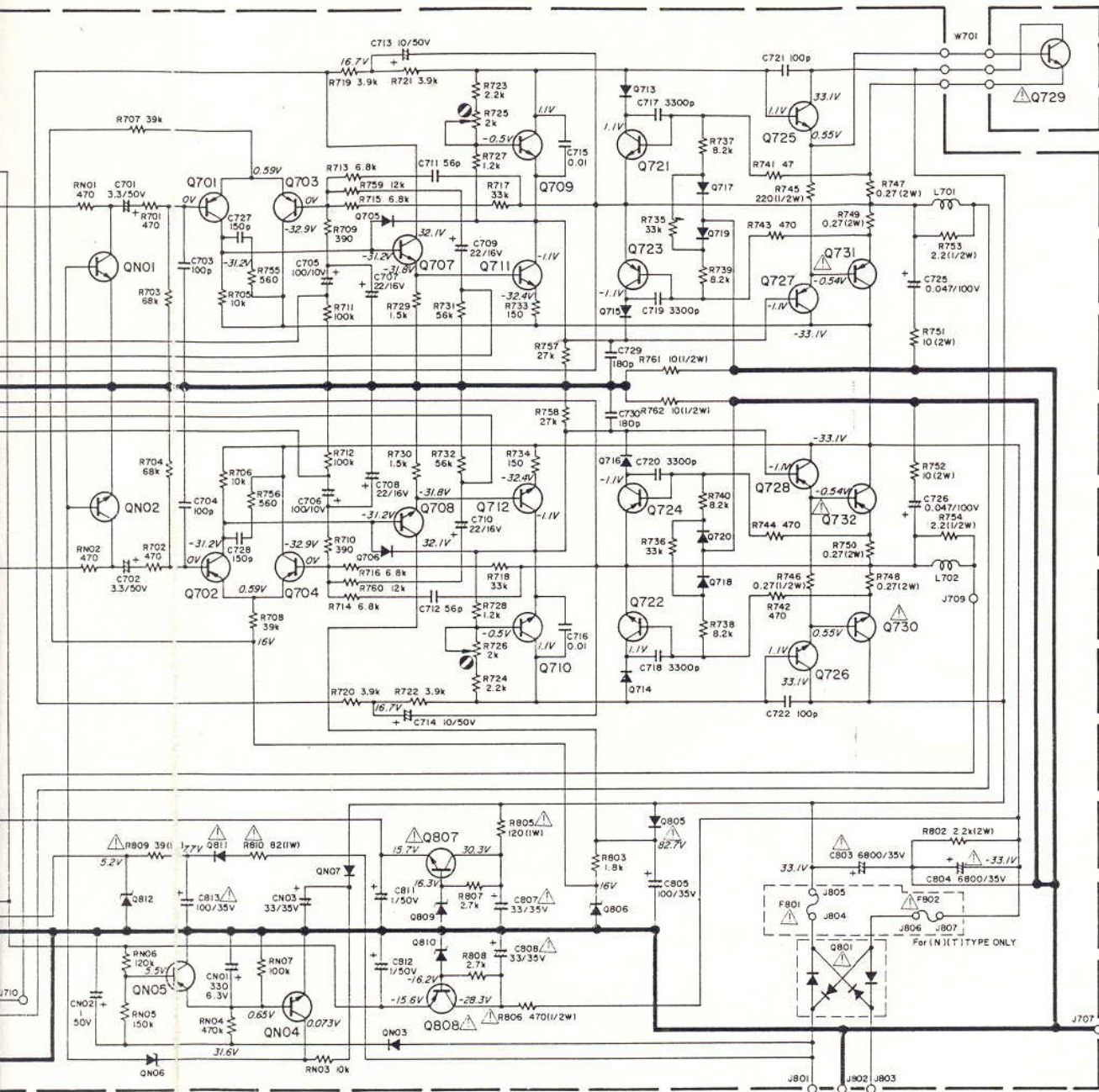


Note on safety: The parts marked with  $\Delta$  are important parts on the safety. Please use the parts having the designated parts number without fail.

Components and wiring are subject

# SCHEMATIC DIAGRAM FOR Model PM310



- Q401-1/2, Q401-2/2  
4558D
- Q701~Q704  
2SA750
- Q705, Q706  
1S2471
- Q707, Q708  
2SC1400
- Q709, Q710, Q721, Q722  
QNO1, QNO2, QNO4  
2SC945
- Q711, Q712  
2SC2240
- Q713~Q720  
1S1555
- Q723, Q724, Q808, QNO5  
2SA733
- Q725, Q726  
2SC2274
- Q727, Q728  
2SA984
- Q729, Q730  
2SD613
- Q731, Q732  
2SB633
- Q801  
S4VB20
- Q805, Q811, QNO3  
DS135D
- Q806, Q809, Q810  
HZ16L
- Q807  
2SD571
- Q812  
BZ052
- QNO6  
WZ071
- QX01, QX02  
WZ038
- QX03, QX04, QX21, QX22, QNO7  
1S1555
- QX05, QX06  
TL489C
- QX07-1/2, QX07-2/2  
AN6552-1/2
- QX08  
GL-9NG9
- QX09~QX18  
GL-9PR9

BC6  
BD2  
BD2

